

## Dynisco Melt Monitor Alarm Series



### Description

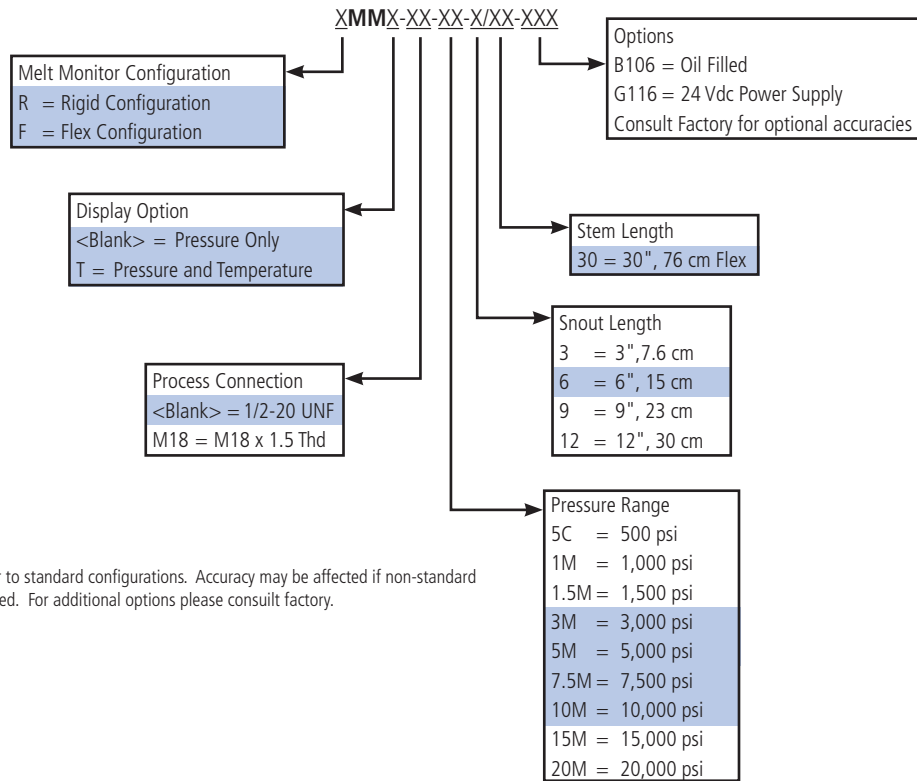
The Dynisco Melt Monitor Alarm Series is a melt pressure transducer with an integral digital display. An optional temperature measurement is available. The Melt Monitor has been designed for the rigorous environments of the plastics extruder. Standard features, including the digital auto-zero and peak display function provides easy operation with an accurate pressure measurement. With the optional built in temperature sensor, the display is capable of providing both process pressure and temperature simultaneously. The Melt Monitor comes standard with two programmable alarm relays. The alarms can be programmed for either manual or automatic reset and early warning indication. In addition, these models are provided with two digital inputs for remote reset and remote zero, as well as 4 - 20 mA, 0 - 10 Vdc and 1 - 5 Vdc user selectable, retransmission of the pressure signal.

### Features

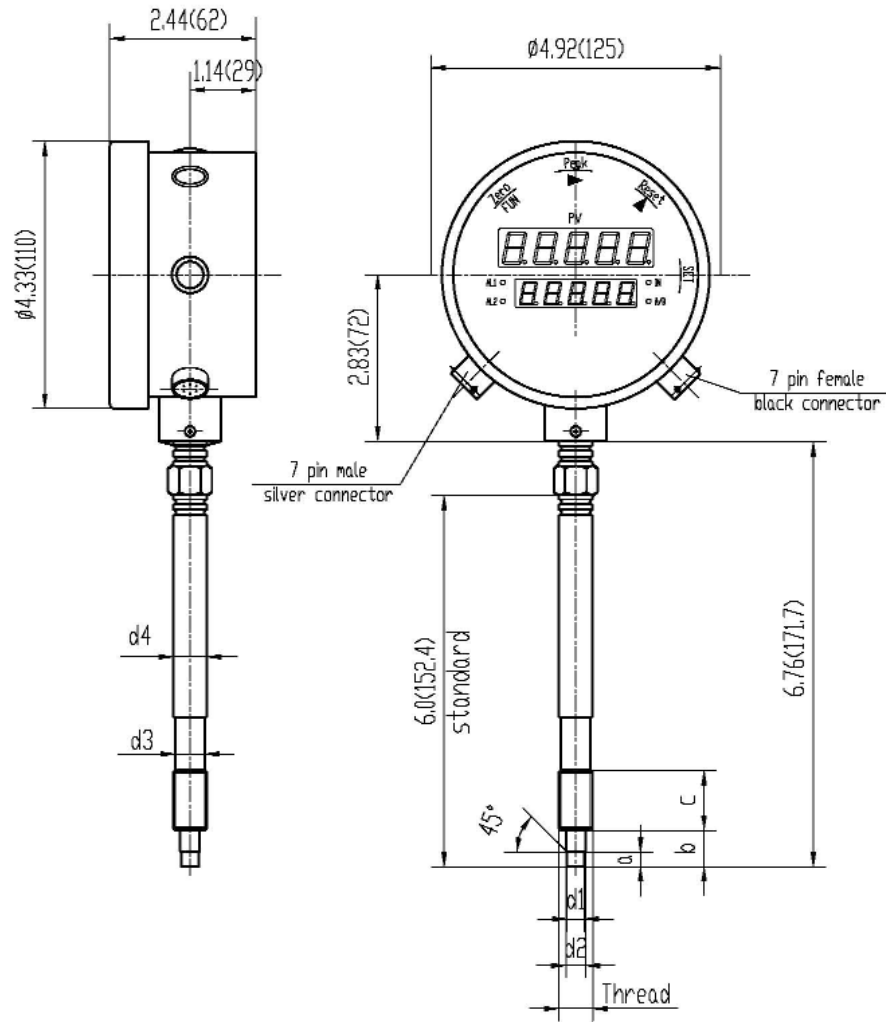
- Dual 5-digit display
- Peak display function and digital auto-zero
- Programmable alarm relays
- Optional 4-20 mA, 0-10 Vdc retransmission
- Accuracy better than  $\pm 0.5\%$
- Customer defined engineering units
- Melt pressure and optional temperature displayed
- Alarm setpoint can be displayed for pressure
- Manual and automatic reset and early warning
- Send high level signals to DCS or PLC
- Accurate over a wide range of temperatures
- Available in PSI, bar, MPa or  $\text{kg}/\text{cm}^2$

Performance Characteristics	
<b>Ranges:</b>	0-500 to 0-20,000 psi
<b>Accuracy:</b>	
<b>Pressure:</b>	±0.5%
<b>Temperature:</b>	±0.5%
<b>Sampling Speed:</b>	0.02 mS
<b>Power Supply:</b>	Universal 110/220 Vac or 24 Vdc (optional)
<b>Displays:</b>	5-digit LED's, 0.5" Primary and 0.4" Secondary
<b>Pressure:</b>	PSI, bar, MPa or kg/cm <sup>2</sup>
<b>Resolution:</b>	1 PSI, 0.1 bar, 0.01Mpa or 0.1kg/cm <sup>2</sup>
<b>Temperature:</b>	°C or °F
<b>Resolution:</b>	0.1°C or 0.1°F
<b>LED's:</b>	Alarm 1, Alarm 2, IN (Reset), A/B (MODBus)
Temperature & Mechanical Characteristics	
<b>Electronics Temp. Range:</b>	32 to 158°F (0 to 70°C)
<b>Max Diaphragm Temp:</b>	750°F (400°C)
<b>Humidity:</b>	Less than or equal to 80%
<b>Optional Temp. Compensation:</b>	70 to 615°F (20 to 325°C)
<b>Electrical Termination:</b>	2-7 pin connector (included)
<b>Alarms:</b>	(2) -1-SPDT + 1-SPST relay, 110 - 220 Vac
<b>Alarm Range Resolution:</b>	00001 - full scale value
<b>Digital Inputs:</b>	remote-zero and remote-reset
<b>Retransmission Outputs:</b>	4-20 mA, 0-10 Vdc, 1-5 Vdc
<b>Communications:</b>	RS-485 MODBus - RTU
<b>Weight:</b>	2.5 to 3.5 lbs.

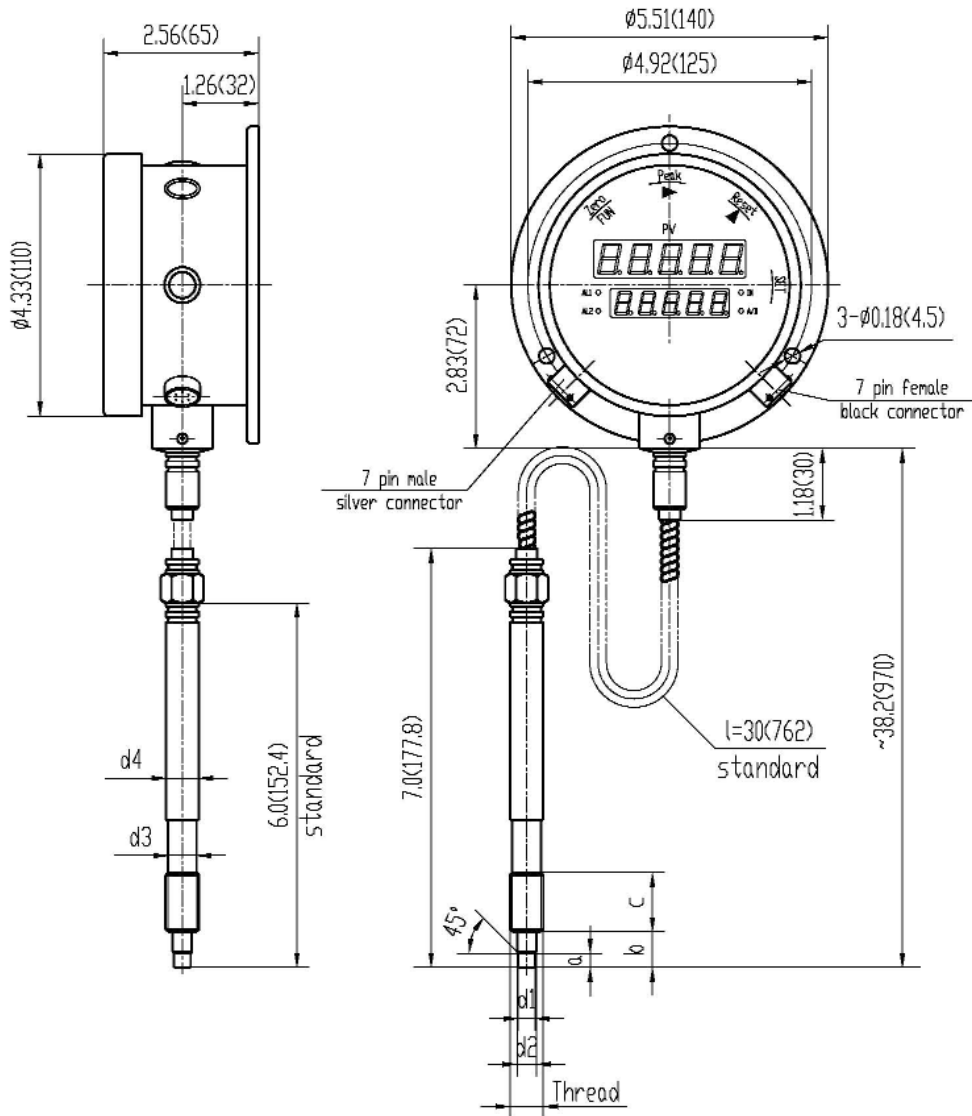
# Ordering Guide



# Dimensions



Thread	D1	D2	A	B	C	D3	D4
1/2-20	0.307(7.8) 0.303(7.7)	0.413(10.5) 0.407(10.35)	0.217(5.5) 0.211(5.35)	0.441(11.2) 0.233(11.0)	0.629(16.0)	0.41(10.5)	0.5(12.7)
M18 x 1.5	0.394(10.0) 0.386(9.8)	0.610(15.5) 0.602(15.3)	0.236(6.0) 0.230(5.85)	0.551(14.0) 0.543(13.8)	0.787(20.0)	0.63(16.0)	0.669(17.0)



Thread	D1	D2	A	B	C	D3	D4
1/2-20	0.307(7.8) 0.303(7.7)	0.413(10.5) 0.407(10.35)	0.217(5.5) 0.211(5.35)	0.441(11.2) 0.233(11.0)	0.629(16.0)	0.41(10.5)	0.5(12.7)
M18 x 1.5	0.394(10.0) 0.386(9.8)	0.610(15.5) 0.602(15.3)	0.236(6.0) 0.230(5.85)	0.551(14.0) 0.543(13.8)	0.787(20.0)	0.63(16.0)	0.669(17.0)



©2016. Dynisco reserves the right to make changes without notice.  
Refer to [www.dynisco.com](http://www.dynisco.com) for access to Operator Manual and other support documentation.  
DDS276098 DS091014

[www.dynisco.com](http://www.dynisco.com)

**Dynisco**  
38 Forge Parkway  
Franklin, MA 02038  
USA

Hotline 1-800-Dynisco  
www.dynisco.com  
Phone +1 508 541 9400  
Fax +1 508 541 6206  
Email infoinst@dynisco.com

**Dynisco Europe, GmbH**

Pfaffemstr. 21 Phone +49 7131 297 0  
74078 Hellbronn Fax +49 7131 297 166  
Germany Email dyniscoeurope@dynisco.com

**Dynisco Shanghai**

Building 7A, No. 568 Phone +86 21 34074072-819  
Longpan Rd Malu Toll Free +86 400 728 9117  
Jiading, 201801 China Fax +86 21 34074025